

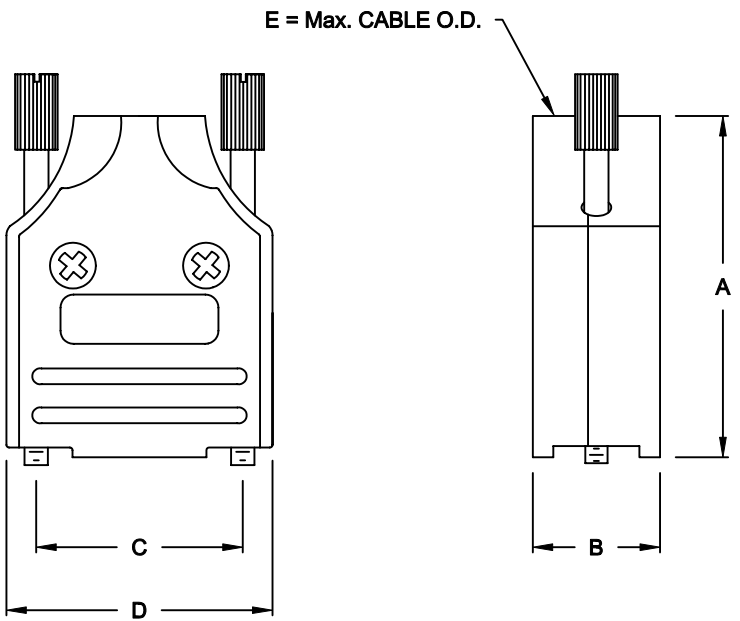
DESCRIPTION: TOP ENTRY - DIE CAST

**SPECIFICATION:**

MATERIAL: ZINC, NICKEL PLATED,  
COPPER UNDER PLATE

**BACKSHELL KIT INCLUDES:**

- (2) BACKSHELL HALVES
- (2) STRAIN RELIEF CLAMPS
- (2) STRAIN RELIEF SCREWS
- (2) MOUNTING SCREWS
- (2) THUMBSCREWS
- (3-SETS) METALIZED PLASTIC INSERTS



**952-YYY-030R121**

SERIES \_\_\_\_\_  
 POSITIONS \_\_\_\_\_  
 009 \_\_\_\_\_  
 015 \_\_\_\_\_  
 025 \_\_\_\_\_  
 037 \_\_\_\_\_  
 MATERIAL \_\_\_\_\_  
 030 = DIE CAST (NICKEL)  
 RoHS COMPLIANT \_\_\_\_\_  
 R = HIGH TEMP. PROCESS  
 COLOR \_\_\_\_\_  
 12 = NICKEL OVER COPPER  
 PUT-UP \_\_\_\_\_  
 1 = KIT

**DIMENSIONS (IN.)**

No. OF PINS	A	B	C	D	E
09	1.626	0.606	0.984	1.268	0.512
15	1.705	0.606	1.312	1.598	0.512
25	1.949	0.606	1.852	2.146	0.512
37	2.138	0.606	2.500	2.783	0.512

**DO NOT SCALE FROM DRAWING**



THESE DRAWINGS AND SPECIFICATIONS ARE THE PROPERTY OF NorComp AND SHALL NOT BE REPRODUCED, COPIED OR USED AS THE BASIS FOR THE MANUFACTURE OF SALE OF APPARATUS WITHOUT WRITTEN PERMISSION.

DRAWN: <b>C. SMITH</b>		DATE: <b>03-29-07</b>	
CHECKED:		DATE:	
SCALE: <b>1:1</b>	SHEET <b>1</b>	OF <b>1</b>	REV <b>0</b>
DWG NO. <b>952-YYY-030R121</b>			

**NorComp**

**RoHS COMPLIANT**